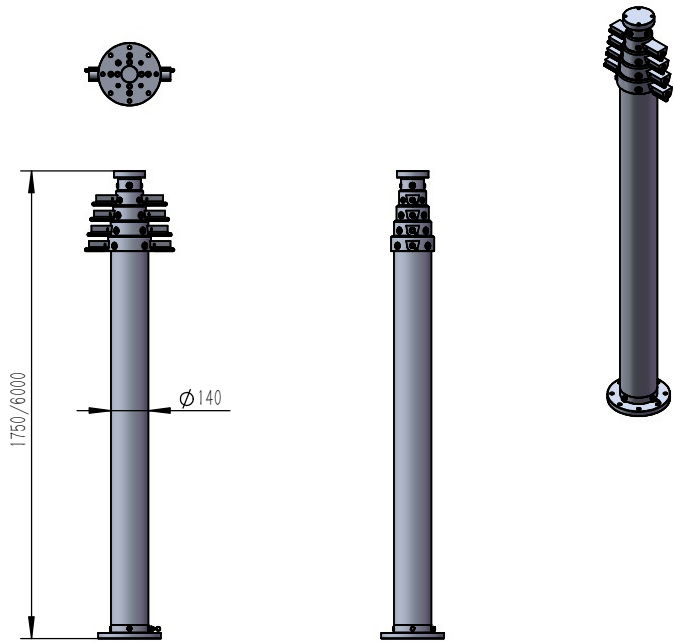


“合”封固”



6m Lockable Pneumatic Telescopic Mast—50kg payloads
 Item #: NR-1.75-6.0-50L-5S-66-140
 Extended Height: 6m
 Closed Height: 1.75m
 Vertical Payloads: 50kg maximum
 Collar type: Locking collar (automatic extension, retraction by operation locking collar)
 Number of sections: 5
 Sections Dia.: 66mm~140mm
 Materials: Aluminum alloy 6063T5
 Mast Weight: 45kg approx.
 Working pressure: 0.2Mpa/29PSI as max. recommendation
 Default accessories: top flange, bottom flange, air hose pipe, air control panel
 Charging accessories: ground mounting tripod, side mounting bracket, guying rope kits, electric air compressor, remote control kit.

零件代号
 借(通)用件登记

旧底图总号							NRENTECH			
底图总号										
设计	标记	处数	分区	更改文件号	签名	年月日	阶段标记	质量	比例	6M LOCKING MAST—50KG PAYLOADS
签字				标准化		20220908		45KG	1:20	
日期	主管设计			审核			NR-1.75-6.0-50L-5S-66-140			
				批准			共1张	第1张	版本	替代