

18m pneumatic telescopic mast-350kg payloads

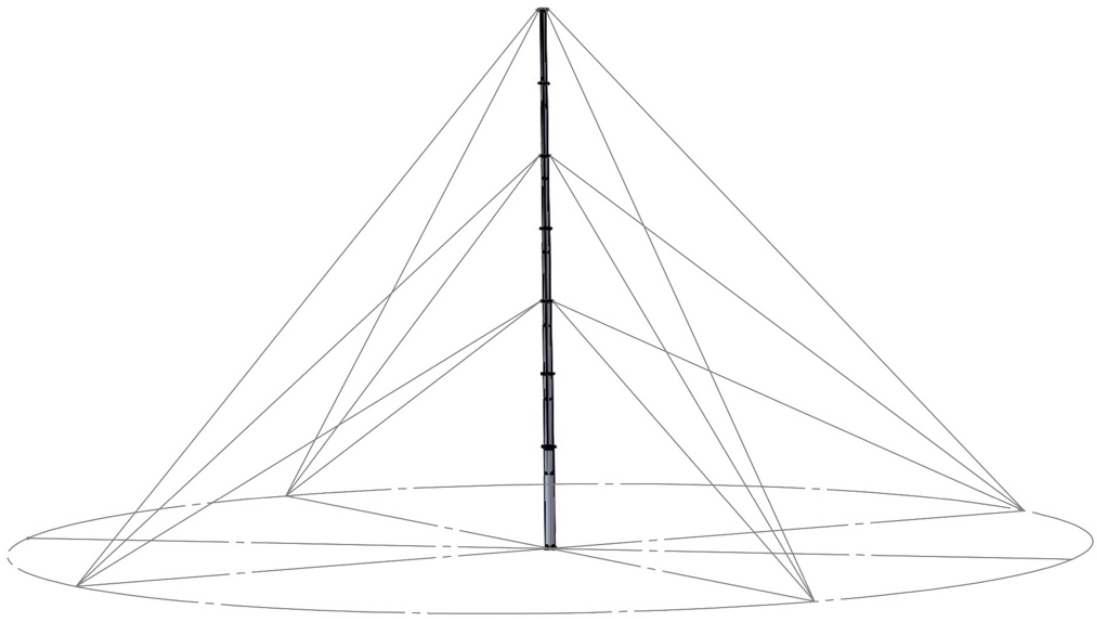
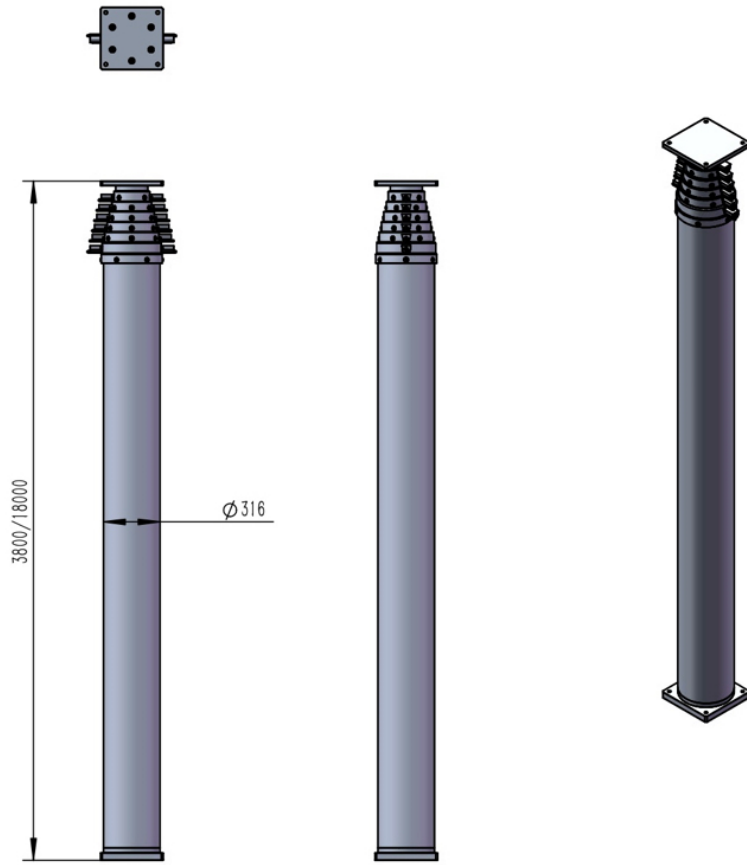
NR-3.8-18-350L-7S-160-316

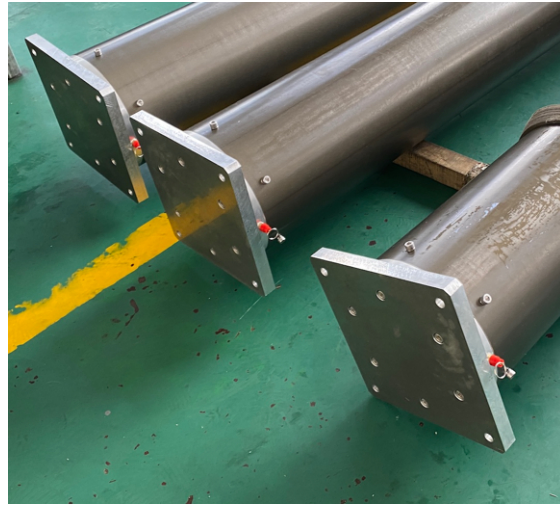
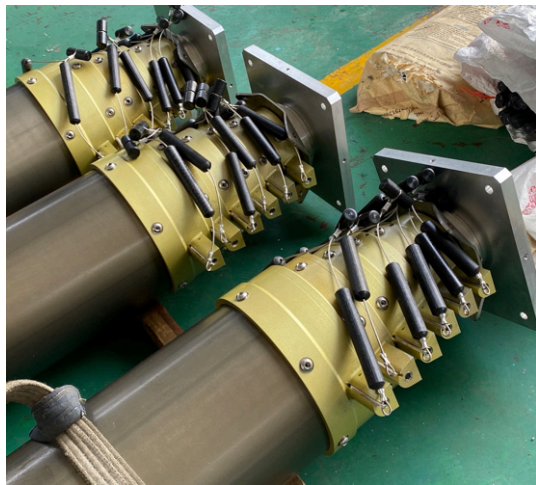
Catalogue updated on 3rd Aug. 2022



18m Lockable Pneumatic Telescopic Mast-350kg Payloads

1>	Item #:	NR-3.8-15-350L-7S-160-316
2>	Extended Height:	18m
3>	Retracted Height:	3.8m
4>	Maximum Payloads:	350kg
5>	Type:	T-Lockable, Anti-rotation
6>	Inside Electric Wires	Non
7>	Number of Sections:	7
8>	Sections' diameter*Thickness:	160*5mm, 180*5mm, 202*6mm, 227*6mm, 252*6mm, 279*7mm, 316*8mm
9>	Materials:	Aluminum Alloy, Stainless steel fasteners
10>	Working Air Pressure:	0.2Mpa/29PSI
11>	Working Temperature:	-25~55 Degrees Celsius
12>	Mast Weight:	390kg
13>	Wind Loads:	120km/h with guying wires kits, 3 layers, 12 wires, mounting radius 18m from center
14>	Default accessories:	1x top flange
		1x bottom flange
		1x air hose pipe
		1x air controller
		1x locking collar operation tool
15>	Optional Accessories:	Quadpod Mounting Bracket (Steel Materials)
		Guying Rope Kits with Mounting Spikes, 3 layers, 12 ropes, mounting radius 18m
		AC220V/50Hz Electric Air Compressor, 3000W, 160L/min air flow rate, 12L air tank
		Vehicle Side Mounting Bracket, Steel materials
		Remote Controller Kit







Ground mounting Quadpod Bracket

